

G2110M Million Lock Push Lock

Features

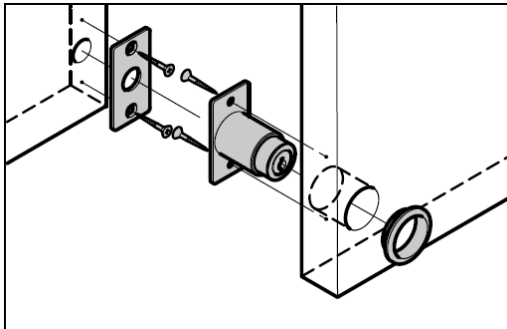
- Ideal for wooden double sliding doors
- **To Lock:** Insert key and turn 60° clockwise. Push-in the cylinder with key and turn 60° back
- **To Unlock:** Insert the key and turn 60° clockwise. Turn the key 60° back and remove
- 12 key changes available
- Keys can be shared with **G2100 Lock Series**

Parts Included

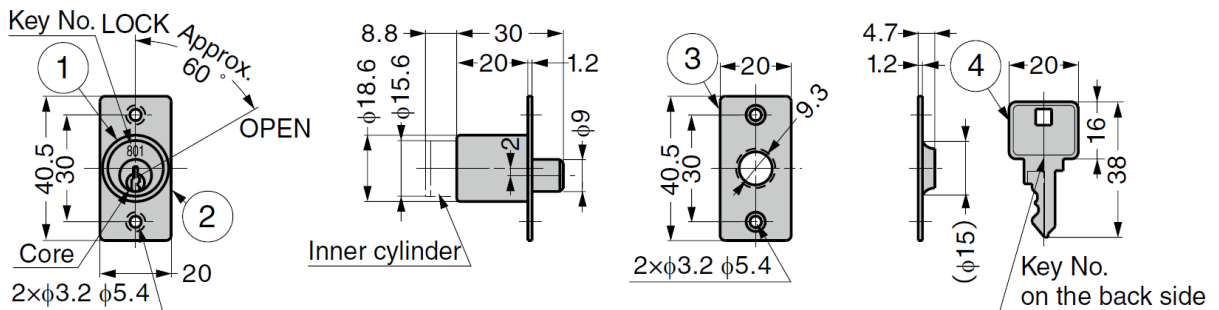
- Countersunk head wood screw 2.7×16



Installation



No.	Part Name	Material	Finish
①	Body	Zinc Alloy (ZDC)	Satin Nickel (Core: Buffing Nickel Coating)
②	Mounting Plate	Brass	Nickel
③	Strike		
④	Key		
-	Key Ring	Steel	



Part No.	Key Type	Cylinder Diameter	Door Thickness
G2110M-B	Keyed Differently	18.6	20
G2110M-D	Keyed Alike		